



I N T R O D U C I N G

# WR218 VAR00

Spring Applied Electrical  
Released Brakes

## Highly reliable, built-in-flexible design for static engagement with some emergency stop capability

Units are highly reliable, spring applied devices designed as statically engaged/disengaged holding brakes. These brakes provide low cycle rates stopping action in emergency situations. Compact **WR218** VAR00 brakes are specifically designed for static engagement.

Warner Electric approaches every application from the standpoint of finding the absolute best functional solution. Built-in robuste design allows **WR218** VAR00 brakes to fit many applications.

### Typical Applications

- Scooters/Wheelchairs
- Patient hoists
- Handheld power tools
- Conveyors
- Machine tools
- Robotics
- Floor sweepers/cleaners
- Automatic doors

### Features

- Intended for use in static applications with E-Stop requirements
- Slim line brake
- Sealed design
- 2 Nm torque up to 5 Nm torque
- Maximum hub bore 11 mm
- 78,5 mm shell diameter

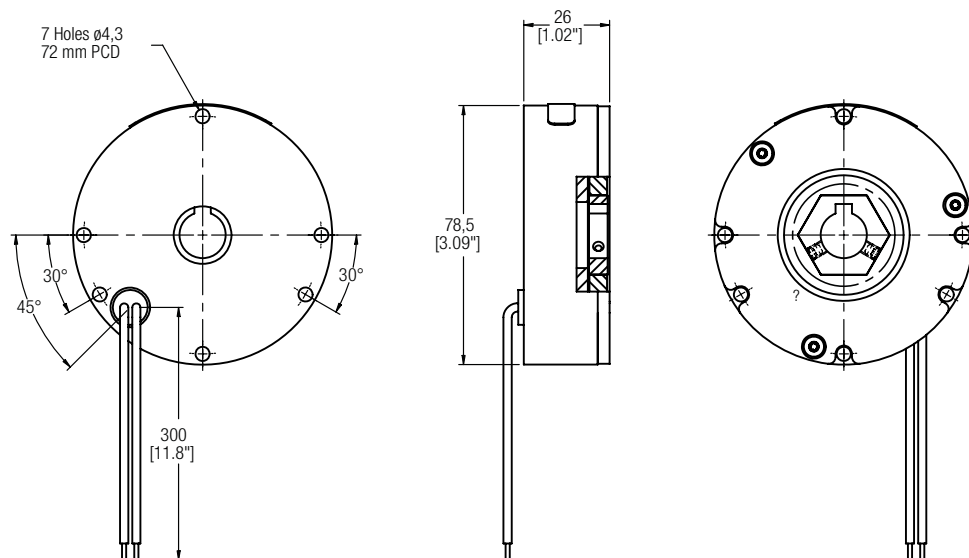


Industrie Service

## WR218 VAR00

# Spring Applied Electrical Released Brakes

Flange Mount



### Dimensions

(Other lengths, diameters or shapes upon request subject to tooling charge)

	End plate outer Ø	Exit cable angle	Cable length
A	78,5 mm - [3.09"]	45°	170 mm [6.69"] 250 mm [9.84"]

### Specifications

(Other non-standard voltage, power, lead length or color available upon request and subject to extra charge)

Static Torque	Temperature	Duty Cycle	Voltage	Power
From 2 Nm to 5 Nm	Ambient -20 / +40°C	50% max	12 VDC 24 VDC	14 Watt

**Options** (to be selected with Warner Electric Sales Engineers)

Hexagonal Hub drive		Hexagonal Plastic Friction disc
Ø Options plain	Ø Options D drive	
<ul style="list-style-type: none"> <li>6,0 mm</li> <li>6,35 mm (0.25")</li> <li>8,0 mm</li> <li>9,5 mm (3/8")</li> <li>10,0 mm</li> <li>11,0 mm</li> </ul>	<ul style="list-style-type: none"> <li>8,0 mm</li> <li>10,0 mm</li> </ul>	

**N.B.:** Options to be selected with Warner Electric Sales Engineers  
Maximum motor shaft length = 8 mm [0.32"]

Subject to alteration without prior notice