

I N T R O D U C I N G

WR220 VAR00

Spring Applied Electrical Released Brakes

**Highly reliable, built-in-flexible design
for static engagement with some
emergency stop capability**

Units are highly reliable, spring applied devices designed as statically engaged/disengaged holding brakes. Compact **WR220** VAR00 brakes are specifically designed for static engagement with some emergency stop capability.

Warner Electric approaches every application from the standpoint of finding the best functional solution, built-in-flexible design allows **WR220** VAR00 brakes to be customised to fit many applications.

Typical Applications

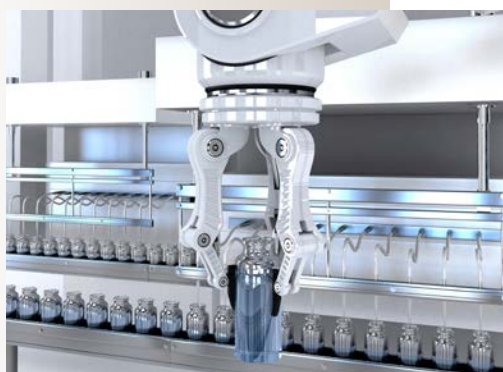
- Scooters/Wheelchairs
- Patient hoists
- Handheld power tools
- Conveyors
- Machine tools
- Robotics
- Floor sweepers/cleaners

Features

- Extremely compact design
- Intended for use in static applications
- 0,5 Nm torque up to 1,5 Nm torque
- Maximum hub bore 10 mm
- 51,5 mm shell diameter
- Various mounting plates available
- Magnet or flange mount
- RoHS compliance



Industrie Service



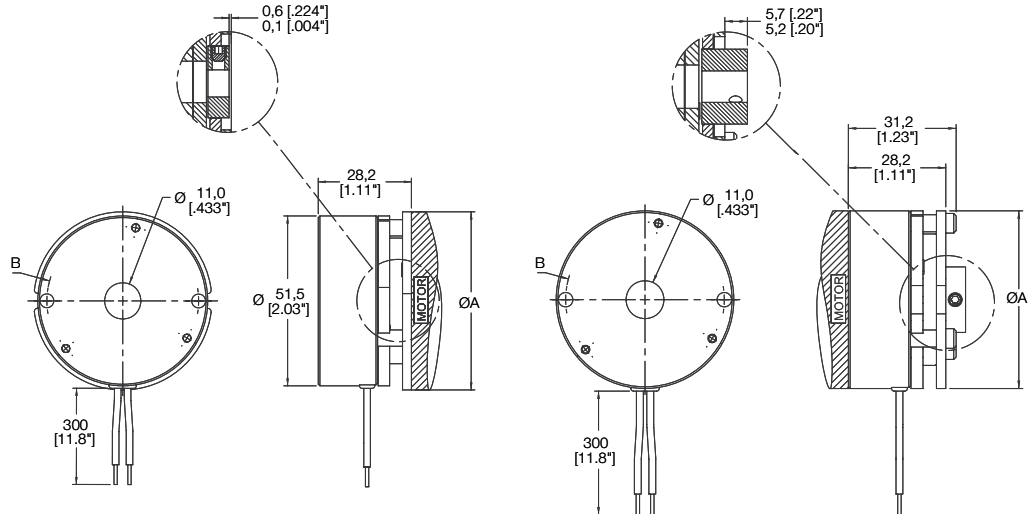


WR220 VAR00

Spring Applied Electrical Released Brakes

Flange Mount

Magnet Mount







Specifications

(Other non-standard voltage, power, lead length or color available upon request and subject to extra charge)

Static Torque	Temperature	Duty Cycle	Voltage	Power
0,5 Nm 1 Nm 1,5 Nm	Ambient -20 / +40°C	50% max	12 VDC 24 VDC	11 Watt

Options (Other lengths, diameters or shapes available upon request and subject to tooling charge)

Flange Mount			Magnet Mount		
End plate outer Ø A	Mounting PCD Ø B	No. holes	End plate outer Ø A	Mounting PCD Ø B	No. holes
54 mm (2.12")	46 mm (1.81")	2	51,5 mm (2.03")	46 mm (1.81")	2
65 mm (2.56")	58 mm (2.28")	2, 3, or 4			
75 mm (2.95")	68 mm (2.68")	2, 3, or 4			

Hexagonal Hub drive		Hexagonal Plastic Friction Disc	Hexagonal Fiber Friction Disc
Ø Options plain	Ø Options D drive		
 6,0 mm 6,35 mm (0.25") 8,0 mm 9,5 mm (3/8") 10,0 mm	 8,0 mm 10,0 mm		

N.B.: Options to be selected with Warner Electric Sales Engineers
Subject to alteration without prior notice