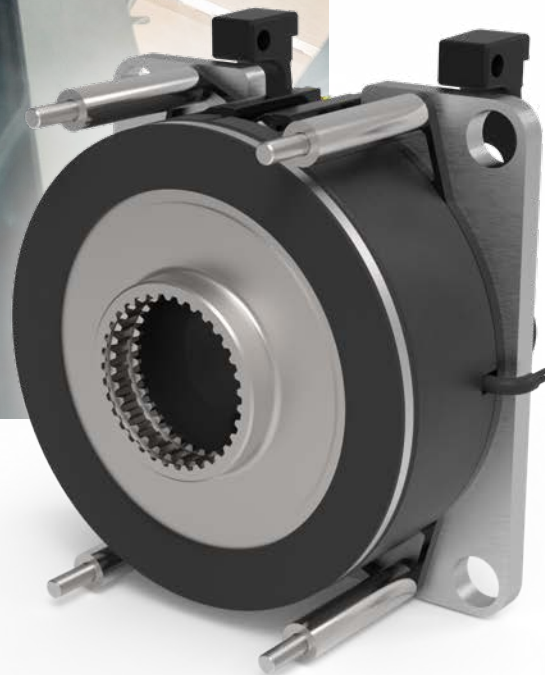




QuietLift Brake For Elevator Applications

NEW



THE WARNER ELECTRIC ADVANTAGE

YOUR JOURNEY WITH US IS MORE THAN JUST A BUSINESS PARTNERSHIP; IT IS A CUSTOMER-CENTRIC EXPERIENCE.

As one of the largest industrial brake and clutch manufacturers in the world, Warner Electric knows customers need quality products and timely delivery. That's why we're proud to be known for our:

- Proven and reliable technology
- Engineer-to-engineer collaboration
- Ability to manufacture worldwide
- Assembly line versatility
- Decades of experience
- Industry-leading testing lab
- Customized and standard solutions

From design and prototyping to testing and production, we believe in building a highly collaborative partnership with our customers.

- Quick prototype delivery with 3D printing options.
- Comprehensive live testing facilities to push the limits in hot, cold, dry, wet and any harsh environments.

Global customer service and account management teams are available at all time zones to offer the support you need. We comply with all major industry standards, including ISO, UL, and CSA.

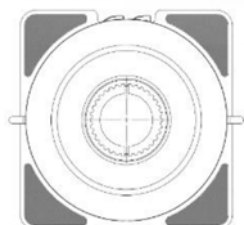
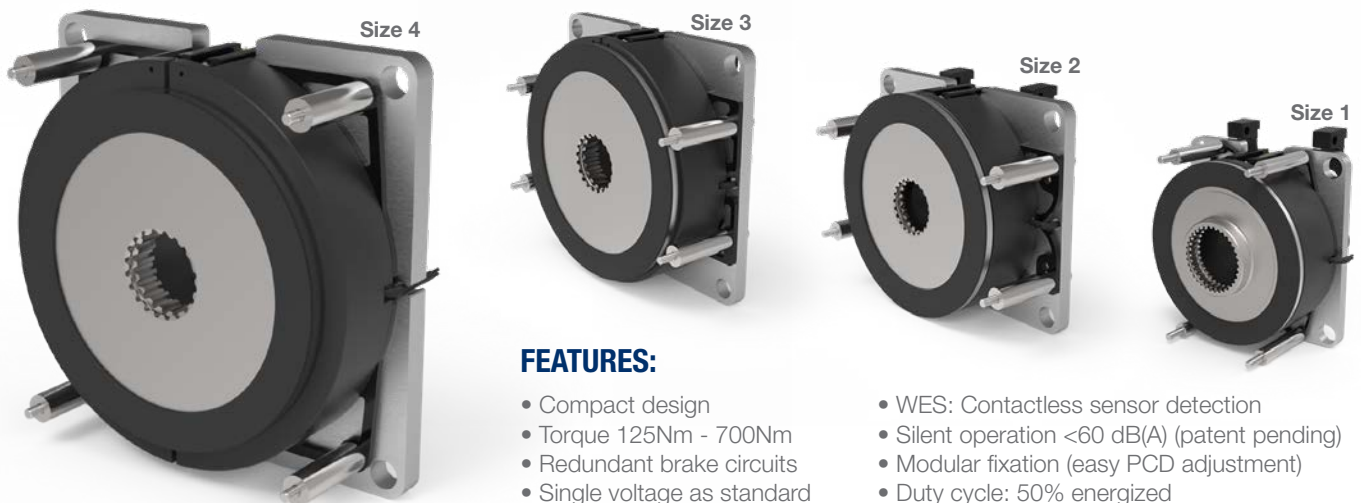
With versatile global production capabilities, we can accommodate single-unit requirements or high-volume production. Count on us! Quality and care are at the core of everything we do.

At Warner Electric, we provide solutions!
Visit our website at www.warnerelectric.com

QUIETLIFT BRAKE

The QuietLift brake is a spring-applied electromagnetic brake, which operates in static and emergency braking. The QuietLift brake is designed to offer a double braking system. It is particularly suitable for gearless motors to meet Elevator standards EN81-20/50:2020.

The QuietLift brake is equipped with the Warner Electric Sensor (WES), which ensures reliable detection and offers a wear monitoring option. Featuring a steel-constructed innovative low-noise system, this brake ensures optimal performance throughout its lifespan. Additionally, the brake is designed to accommodate modular mounting positions and sizes for your project's requirements.



MODULAR FIXATION

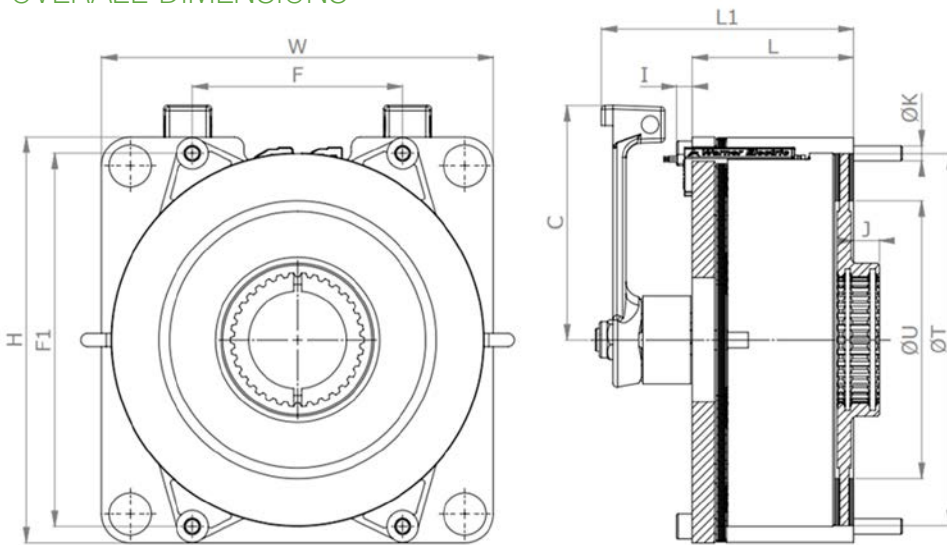
The QuietLift brake features a modular fixation design, allowing for easy adjustment of mounting positions and sizes. These positions can vary within the designated grey area, depending on your project needs. Further information is available upon request.

SILENT OPERATION

- No rubber material used
- Only metal parts for long lifespan operation
- <60db(A). No over-torque applied
- 100% of the torque applied by springs



OVERALL DIMENSIONS



The QuietLift brake has been designed to propose compact squared dimensions and short length.

Dimensions defined below are preferred dimensions.

Further adaptation to your projects available on request.

Brake Torque Range

Brake	Torque range 2x	Max speed allowed [rpm]	Max speed allowed [m/s]	Power [W]	Weight [kg]	Weight (HR) [kg]
Size 1	120 - 160Nm	1000	8,9	63	16	17
Size 2	220 - 320Nm	1000	10,8	68	28	29
Size 3	350 - 450Nm	900	10,8	82	36	37
Size 4	525 - 700Nm	800	10,9	82	43	44
Size 5		In progress				

Splines and Hubs Dimensions

Brake	Splines dimensions DIN5480 (preferred values)	Hub bore max [mm]
Size 1	N60x2,5x22 or N65x3x20	Ø45
Size 2	N65x3x20 or N70x2x34	Ø50
Size 3	N65x3x20 or N70x2x34	Ø50
Size 4	N70x2x34	Ø50
Size 5	In progress	

Brake Dimensions

Brake	W [mm]	H [mm]	L [mm]	L1 [mm]	C [mm]	F (preferred values) [mm]	F1 (preferred values) [mm]	I [mm]	J [mm]	ØK [mm]	ØU [mm]	ØT [mm]
Size 1	205	212	90,5	138	125	110	195	8	13	4x M8	145	190
Size 2	295	240	96,5	144	125	264	90	8	13	4x M8	200	231,5
Size 3	295	275	96,5	144	125	272	120	10	13	4x M10	210	258
Size 4	315	315	96,5	144	125	237	258	10	13	4x M10	250	290
Size 5	In progress											

AVAILABLE OPTIONS

HAND-LEVER

FOR MANUAL RELEASING

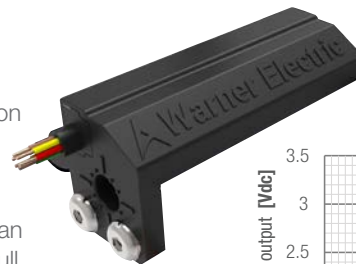


Rotate the brake manually, OR turn it with a Bowden cable.

WES

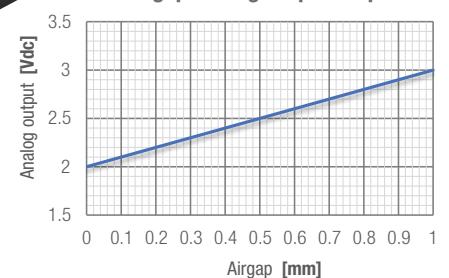
WEAR DETECTION SENSOR

WES is a brake status detection sensor offering improved reliability and longer brake lifespan over a wider range of temperatures. It has less than 0.05 mm hysteresis over the full range of operating temperatures (-40°C/105°C). Analog output for wear detection is also available.



Please scan to view the WES flyer for more information

Airgap Analog Output Graph



Warner Electric Facilities

North America

USA

31 Industrial Park Road
New Hartford, CT 06057 - USA
860-379-1252

*Electromagnetic Clutches
and Brakes*

449 Gardner Street
South Beloit, IL 61080 - USA
815-389-3771

4578 East Park 30 Drive
Columbia City, IN 46725 - USA
260-244-6183

*Precision Electric Coils and
Electromagnetic Clutches and
Brakes*

Customer Service

1-800-825-6544

Application Support

1-800-825-9050

Europe

France

7 rue de Champfleu - CS20095
49182 St Barthelemy d'Anjou - France
+33 (0)2 41 21 24 24

*Electromagnetic Clutches
and Brakes*

Customer Service

+33 (0)2 41 21 24 76

Application Support

+33 (0) 2 41 21 24 24

Asia Pacific

Australia

+61 2 9894 0133

China

+86 21 5169-9255

Hong Kong

+852 2615 9313

Singapore

+65 6487 4464

Taiwan

+886 2 2577 8156

Thailand

+66 2322 5527



Scan to see all
the brands of
Regal Rexnord

Neither the accuracy nor completeness of the information contained in this publication is guaranteed by the company and may be subject to change in its sole discretion. The operating and performance characteristics of these products may vary depending on the application, installation, operating conditions and environmental factors. The company's terms and conditions of sale can be viewed at <https://www.warnerelectric.com/company/terms-and-conditions>. These terms and conditions apply to any person who may buy, acquire or use a product referred to herein, including any person who buys from a licensed distributor of these branded products.

©2023 by Warner Electric LLC. All rights reserved. All trademarks in this publication are the sole and exclusive property of Warner Electric LLC or one of its affiliated companies.