



CMS 250 Clutch/Brake



CMS 250

Clutch/Brake

The CMS 250 Series Commercial MagStop clutch/brakes are designed for heavy duty mowers with up to 96" decks and engines up to 37 HP. Rugged design for continuous duty and long life.

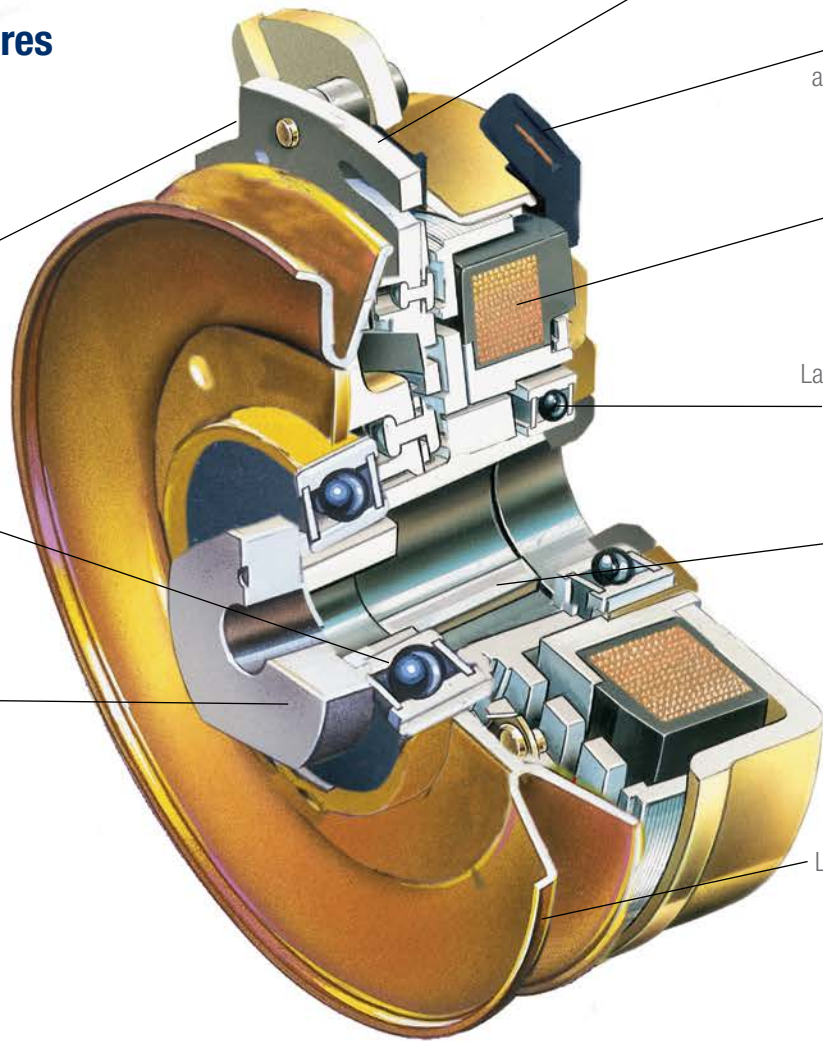
CMS Design Features

Patented, modular, permanent magnet brakes provide more consistent torque over the life of the clutch.
5-10-15 lb.ft. brake options available

Large 6208 armature bearing pressed into machined bearing cup

Patented D-drive mounting adapter locks crank shaft to aid in securing and removing mounting bolt

Made in the USA



Easy, no hassle re-gap option which doubles clutch life and is less prone to adjustment error than mechanical spring set brakes

Low profile integral connector helps prevent lead wire fatigue and protects the clutch by making the cable assembly the serviceable component

Completely encapsulated coils, over-molded in high temperature engineered plastic

Large, 6008 field bearing with high temperature polyacrylic seal and high temperature krytox grease

Integral key for ease of installation and reduced part inventory

Larger pulley sizes extend belt life

Custom pulley sizes available



Very simple, no hassle re-gap option is a standard feature which doubles clutch life.



Brake shim can quickly be removed from clutch while mounted and the airgap can be checked easily.

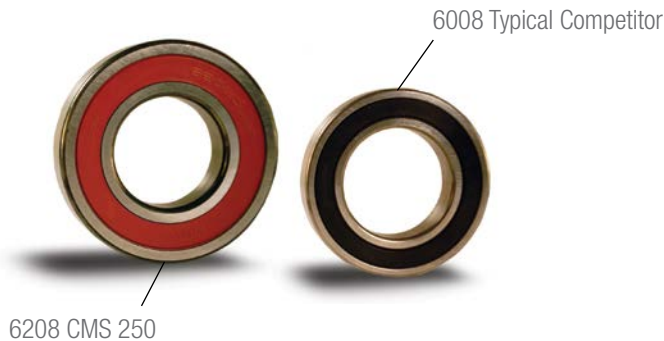


Low profile connector allows for easy replacement of cable assembly.

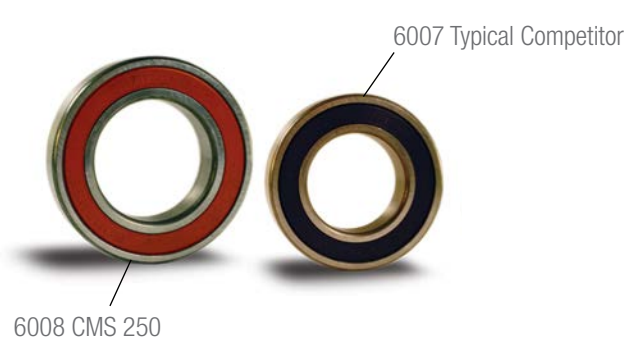
Bearings

Larger, more robust 6008 and 6208 series bearings have been implemented on the CMS 250. The field bearing by design is thermally isolated from the coil and utilizes high temperature fluorinated grease and high temperature seals.

Pulley Bearings

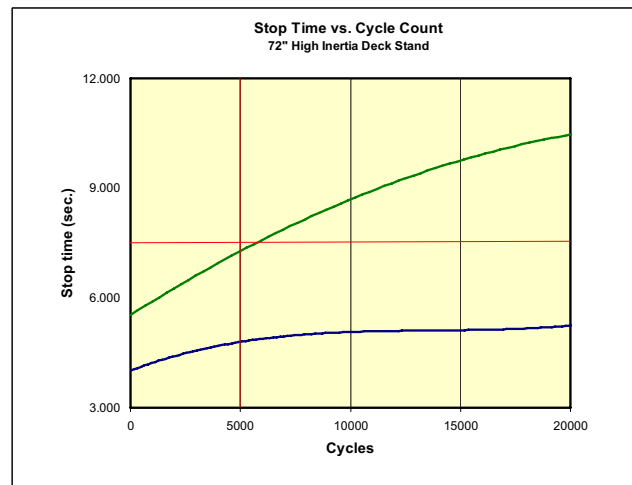


Field Bearings



CMS 250 Performance Specifications

LIFE	• B ₁₀ life of 25,000 cycles at 2000 hours
APPLICATION SIZE	• Up to 37 HP
ENGINE	
DECK	• Commercial applications up to 96" decks
ENVIRONMENT	• Ambient - 40° to +200°F • Bearing operating temperatures - 40°F to +350°F
OPERATING SPEED	• Input speeds up to 3600 RPM
ELECTRICAL SPECIFICATIONS	• System voltage of 12.0 to 14.0 volts with a steady state current between 6 to 7 amps



ANSI Standard B71.4-1990 requires a stop time no greater than 7 seconds out of box for commercial applications. New brake designed to extend this standard through the life of the clutch. The consumer endurance point is 5K cycles.

Full Line Overview

SERIES NUMBER	SERIES NAME	AVAILABLE TORQUE	CURRENT DRAW RANGE	AVAILABLE BORES*	PULLEY GROOVE AVAILABILITY	EXISTING PULLEY DIAMETERS**	ELECTRICAL CONNECTION	MOUNTING
5217-XX	RMS	60 & 80 ft.lb.	1.6 to 3.97 amps	1"	A, A/B, B	5.2 to 7.48"	Integral	Standard & Reverse
5219-XX	TG	105 & 125 ft.lb.	3.25 to 4.23 amps	1", 1-1/8"	A, A/B, B, 3V, 5L, 5V, HA	2.893 to 7.3"	Integral & Lead Wire	Standard & Reverse
5218-XX	CMS	175 & 200 ft.lb.	4.85 to 5.53 amps	1", 1-1/8"	A, A/B, B, 3V, 5L, 5V, HA, 8M, GT2	3.35 to 7.345"	Integral & Lead Wire	Standard & Reverse
5228-XX	CMS 250	225 & 250 ft.lb.	6.65 to 6.86 amps	1", 1-1/8", 1-1/4", 1-7/16"	A, A/B, B, C	6.121 to 7.153"	Integral & Lead Wire	Standard & Reverse
5227-XX	GT 300	300 ft.lb.	6.0 to 7.0 amps	1", 1-1/8", 1-1/4", 1-7/16"	A, B, C Flange	4.75 to 9.34"	Screw Terminal	Standard & Reverse

* Other clutch bores may be available depending on application and yearly volume
 ** Other pulley or flange configurations available depending on application and yearly volume

Warner Electric Facilities

North America

USA

31 Industrial Park Road
New Hartford, CT 06057 - USA
860-379-1252

*Electromagnetic Clutches
and Brakes*

449 Gardner Street
South Beloit, IL 61080 - USA
815-389-3771

4578 East Park 30 Drive
Columbia City, IN 46725 - USA
260-244-6183

*Precision Electric Coils and
Electromagnetic Clutches and
Brakes*

Customer Service

1-800-825-6544

Application Support

1-800-825-9050

Europe

France

7 rue de Champfleür - CS20095
49182 St Barthelemy d'Anjou - France
+33 (0)2 41 21 24 24

*Electromagnetic Clutches
and Brakes*

Customer Service

+33 (0)2 41 21 24 76

Application Support

+33 (0) 2 41 21 24 24

Asia Pacific

Australia

+61 2 9894 0133

China

+86 21 5169-9255

Hong Kong

+852 2615 9313

Singapore

+65 6487 4464

Taiwan

+886 2 2577 8156

Thailand

+66 2322 5527



Scan to see all
the brands of
Regal Rexnord

Neither the accuracy nor completeness of the information contained in this publication is guaranteed by the company and may be subject to change in its sole discretion. The operating and performance characteristics of these products may vary depending on the application, installation, operating conditions and environmental factors. The company's terms and conditions of sale can be viewed at <https://www.warnerelectric.com/company/terms-and-conditions>. These terms and conditions apply to any person who may buy, acquire or use a product referred to herein, including any person who buys from a licensed distributor of these branded products.

©2023 by Warner Electric LLC. All rights reserved. All trademarks in this publication are the sole and exclusive property of Warner Electric LLC or one of its affiliated companies.