

I N T R O D U C I N G

WR225 VAR00

Spring Applied Electrical
Released Brakes

Highly reliable, built-in-flexible design for static engagement with some emergency stop capability

Units are highly reliable, spring applied devices designed as statically engaged/disengaged holding brakes. Compact **WR225 VAR00** brakes are specifically designed for static engagement with some emergency stop capability.

Warner Electric approaches every application from the standpoint of finding the best functional solution, built-in-flexible design allows **WR225 VAR00** brakes to be customised to fit many applications.

Typical Applications

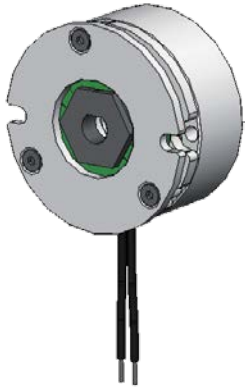
- Scooters/Wheelchairs
- Patient hoists
- Handheld power tools
- Conveyors
- Machine tools
- Robotics
- Floor sweepers/cleaners

Features

- Extremely compact design
- Intended for use in static applications
- 2 Nm torque up to 4 Nm torque
- Maximum hub bore 10 mm
- 57 mm shell diameter
- Various mounting plates available
- Magnet or flange mount
- RoHS compliance



Industrie Service

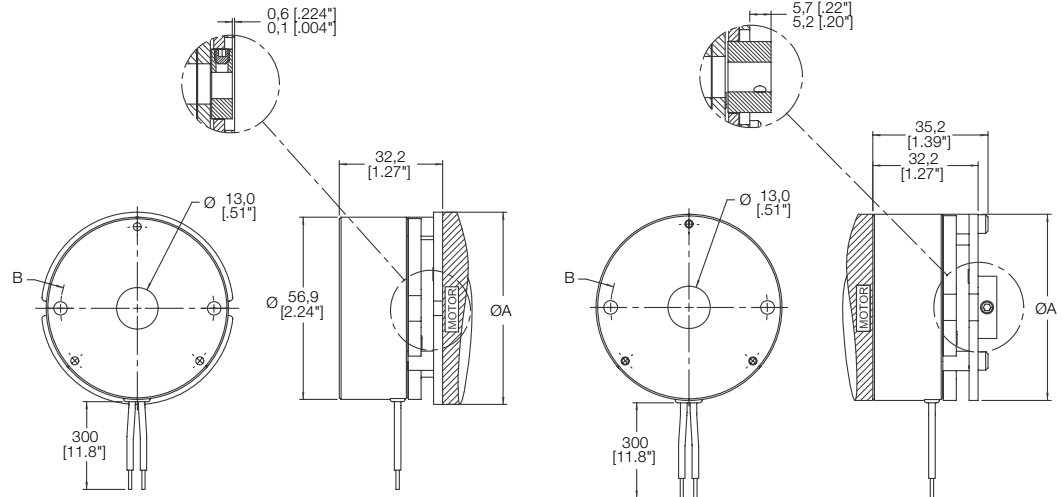


WR225 VAR00

Spring Applied Electrical Released Brakes

Flange Mount

Magnet Mount



Specifications

(Other non-standard voltage, power, lead length or color available upon request and subject to extra charge)





| Static Torque | Temperature | Duty Cycle | Voltage | Power |
|----------------------|---------------------|------------|------------------|---------|
| 2 Nm 3 Nm 4 Nm | Ambient -20 / +40°C | 50% max | 12 VDC 24 VDC | 11 Watt |

Options (Other lengths, diameters or shapes available upon request and subject to tooling charge)

| Flange Mount | | |
|---------------------|------------------|------------|
| End plate outer Ø A | Mounting PCD Ø B | No. holes |
| *60 mm (2.24") | *48 mm (1.89") | 2 |
| 70 mm (2.76") | 62 mm (2.44") | 2 |
| 75 mm (2.95") | 68 mm (2.68") | 2, 3, or 4 |
| 80 mm (3.15") | 72 mm (2.84") | 2, 3, or 4 |

| Magnet Mount | | |
|---------------------|------------------|-----------|
| End plate outer Ø A | Mounting PCD Ø B | No. holes |
| *57 mm (2.24") | *48 mm (1.89") | 2 |

* Only available on torque range 3 Nm max

| Hexagonal Hub drive | | Hexagonal Plastic Friction disc | Hexagonal Fiber Friction disc |
|---|---|---|---|
| Ø Options plain | Ø Options D drive | | |
|  6,0 mm 6,35 mm (0.25") 8,0 mm 9,5 mm (3/8") 10,0 mm |  8,0 mm 10,0 mm |  |  |

N.B.: Options to be selected with Warner Electric Sales Engineers

Subject to alteration without prior notice