



I N T R O D U C I N G

XCTRL

A new tension control system

The XCTRL controller is a solid state electronic control that receives signal from a **Dancer pivot point sensor or 2 Load cells**. It integrates 2 separate Digital PID Controllers and 2 separate Open Loop controls.

All setup can be made through a user friendly application and save to the integrated memory, an SD card or your computer. Wire up to two Load cells or a Dancer arm to get a closed loop control with a linear or auto. compensation.

When associated with the X2DRV the controller become the XCTRL-2DRV. Power supply, input and communication will be made by an internal connection.

Optional Rail DIN fixation available.

Product

XCTRL Tension Control System

Advantages

This New Tension Control System will lead you to:

- To **improve** quality of the operation
- To **lower** your maintenance cost by decreasing the setup time

Main

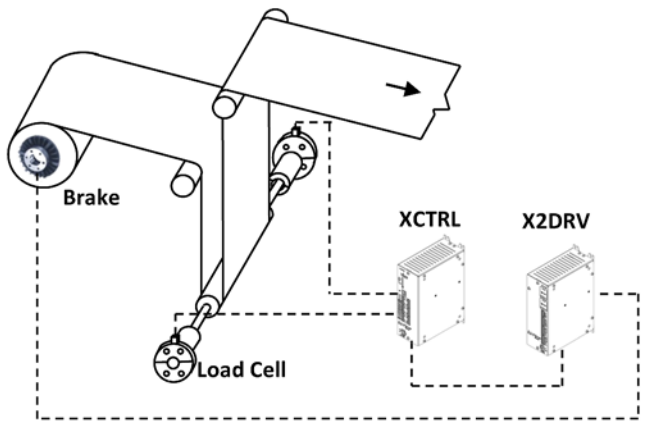
Main supply Voltage	24VDC +/-5%
2 Channels Sensors Input	Dancer Arm and up to two Load Cells
2 Channels Output	Selectable 0-10V or 4-20mA through an application
2 PID Controller	PID Gain adjustable with the application
USB Connection	Connect your XCTRL to your computer with a USB cable and get access to the application
User Friendly Application	Setup all parameters through a user friendly application and get a graphic overview.
Parameters Partitions Saving	Through the application save your parameter partitions on your computer or in an SD card.
Open Loop Control	Get an open loop control by wiring an external sensor. Selectable 0-10V or 4-20mA
Linear and Auto. Compensation	Get a closed loop control with a linear or auto. compensation. Selectable with the application

XCTRL Application

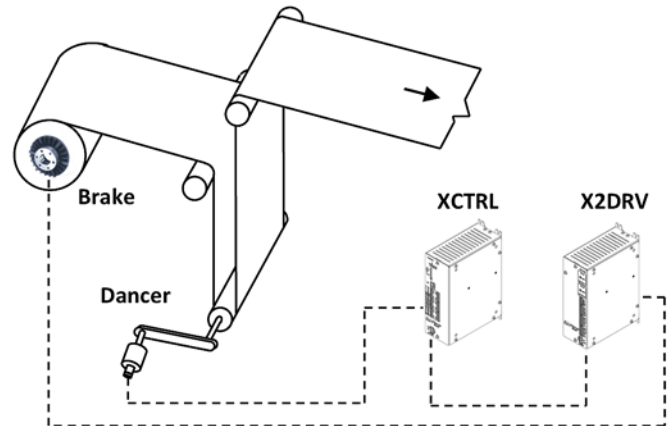
Get a closed loop control by wiring:

- 1 Dancer Arm
- 1 or 2 Load Cells

Load Cell Application



Dancer Arm Application



XCTRL Dimensions

