

C-FACE POWER-OFF BRAKES

F Series AC Rear-Mounted Brakes with NEMA 2 Housing Aluminum Head-Steel Cover

56,000 NEMA 2 ; 56,100 NEMA 2 ; 56,300 NEMA 1



Warner Electric Single C-Face Power-Off Brakes are designed to decelerate or hold inertia loads when the power is turned off. The single C-Face mounts on the non-driven end of a motor. Brakes are available from 3 ft. lb. to 15 ft. lb.

Features:

- External manual release lever
- Totally enclosed construction
- Torque adjustable from full-rated torque down to 50%
- Single-phase AC coils to provide fast release times and easy wiring
- Single C-Face

Brake Part Numbers

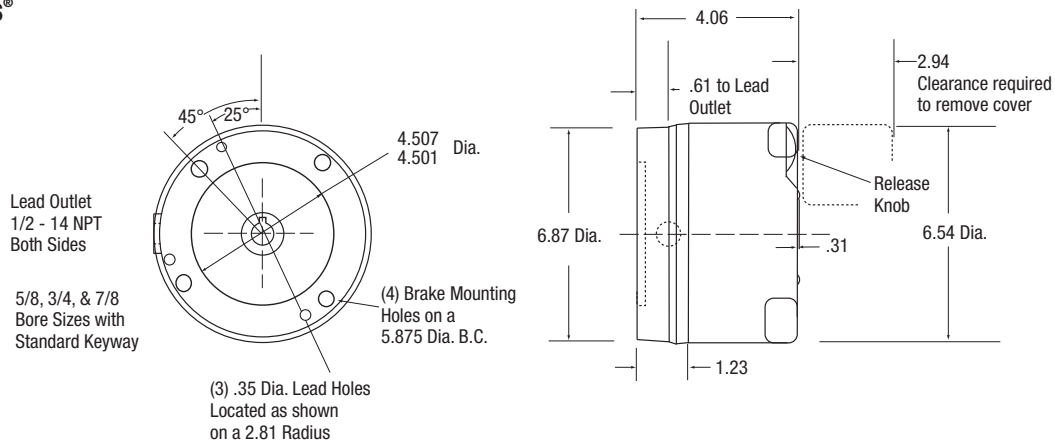
Technical Data

Coil Voltage	3 ft. lb. Brakes (1 Disc)	6 ft. lb. Brakes (1 Disc)	10 ft. lb. Brakes (2 Discs)	15 ft. lb. Brakes (3 Discs)	Current Holding Amps	Current Inrush Amps
5/8 Bore Hub						
115/230, 60 HZ	F51A0321-W	F51A0621-W	F52A0721-W	F53A0821-W	.50/.25	3.66/1.83
230/460, 60 HZ	F51A0324-W	F51A0624-W	F52A0724-W	F53A0824-W	.28/.14	1.94/.97
287/575, 60 HZ	F51A0325-W	F51A0625-W	F52A0725-W	F53A0825-W	.22/.11	1.54/.77
115/230, 50 HZ	F51A0328-W	F51A0628-W	F52A0728-W	F53A0828-W	.45/.22	3.27/1.64
230/460, 50 HZ	F51A0329-W	F51A0629-W	F52A0729-W	F53A0829-W	.24/.12	1.76/.88
3/4 Bore Hub						
115/230, 60 HZ	F51B0321-W	F51B0621-W	F52B0721-W	F53B0821-W	.50/.25	3.66/1.83
230/460, 60 HZ	F51B0324-W	F51B0624-W	F52B0724-W	F53B0824-W	.28/.14	1.94/.97
287/575, 60 HZ	F51B0325-W	F51B0625-W	F52B0725-W	F53B0825-W	.22/.11	1.54/.77
115/230, 50 HZ	F51B0328-W	F51B0628-W	F52B0728-W	F53B0828-W	.45/.22	3.27/1.64
230/460, 50 HZ	F51B0329-W	F51B0629-W	F52B0729-W	F53B0829-W	.24/.12	1.76/.88
7/8 Bore Hub						
115/230, 60 HZ	F51C0321-W	F51C0621-W	F52C0721-W	F53C0821-W	.50/.25	3.66/1.83
230/460, 60 HZ	F51C0324-W	F51C0624-W	F52C0724-W	F53C0824-W	.28/.14	1.94/.97
287/575, 60 HZ	F51C0325-W	F51C0625-W	F52C0725-W	F53C0825-W	.22/.11	1.54/.77
115/230, 50 HZ	F51C0328-W	F51C0628-W	F52C0728-W	F53C0828-W	.45/.22	3.27/1.64
230/460, 50 HZ	F51C0329-W	F51C0629-W	F52C0729-W	F53C0829-W	.24/.12	1.76/.88

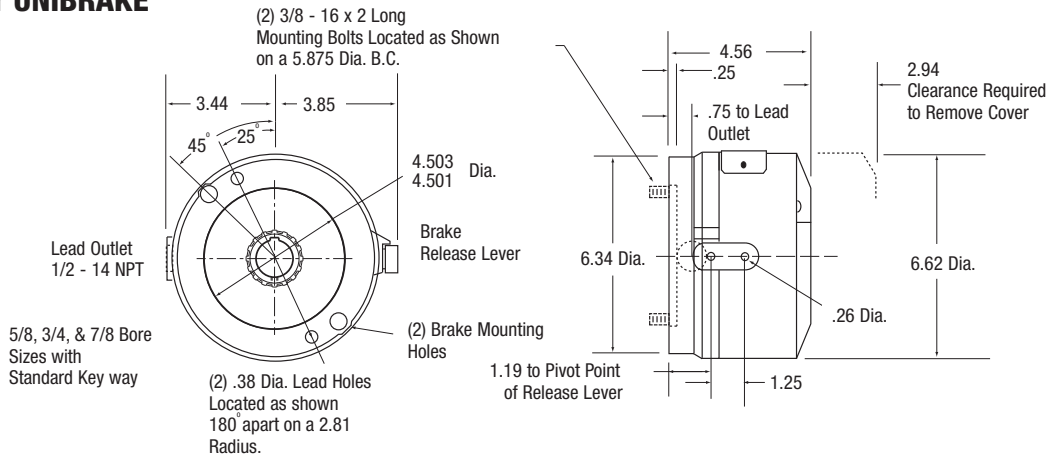
F Series AC Rear-Mounted Brakes with NEMA 2 Housing Aluminum Head-Steel Cover

56,000 NEMA 2

Stearns®



Warner UNIBRAKE®



UNIBRAKE® Interchange

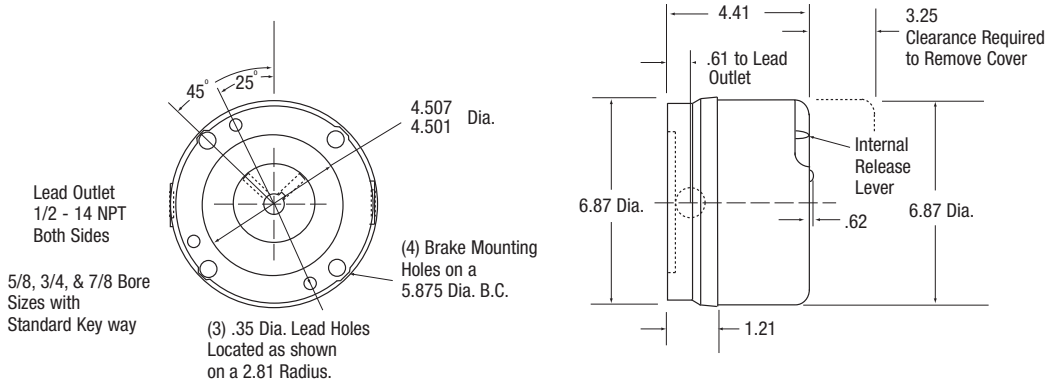
Stearns® Part Number	Warner Electric Replacement	Stearns® Part Number	Warner Electric Replacement	Stearns® Part Number	Warner Electric Replacement
1-056-011-00-BNF	F51A0325-W	1-056-021-00-CNF	F51B0625-W	1-056-031-00-DNF	F52C0725-W
1-056-011-00-BOF	F51A0328-W	1-056-021-00-COF	F51B0628-W	1-056-031-00-DOF	F52C0728-W
1-056-011-00-BPF	F51A0321-W	1-056-021-00-CPF	F51B0621-W	1-056-031-00-DPF	F52C0721-W
1-056-011-00-BQF	F51A0324-W	1-056-021-00-CQF	F51B0624-W	1-056-031-00-DQF	F52C0724-W
1-056-011-00-CNF	F51B0325-W	1-056-021-00-DNF	F51C0625-W	1-056-041-00-BNF	F53A0825-W
1-056-011-00-COF	F51B0328-W	1-056-021-00-DOF	F51C0628-W	1-056-041-00-BOF	F53A0828-W
1-056-011-00-CPF	F51B0321-W	1-056-021-00-DPF	F51C0621-W	1-056-041-00-BPF	F53A0821-W
1-056-011-00-CQF	F51B0324-W	1-056-021-00-DQF	F51C0624-W	1-056-041-00-BQF	F53A0824-W
1-056-011-00-DNF	F51C0325-W	1-056-031-00-BNF	F52A0725-W	1-056-041-00-CNF	F53B0825-W
1-056-011-00-DOF	F51C0328-W	1-056-031-00-BOF	F52A0728-W	1-056-041-00-COF	F53B0828-W
1-056-011-00-DPF	F51C0321-W	1-056-031-00-BPF	F52A0721-W	1-056-041-00-CPF	F53B0821-W
1-056-011-00-DQF	F51C0324-W	1-056-031-00-BQF	F52A0724-W	1-056-041-00-CQF	F53B0824-W
1-056-021-00-BNF	F51A0625-W	1-056-031-00-CNF	F52B0725-W	1-056-041-00-DNF	F53C0825-W
1-056-021-00-BOF	F51A0628-W	1-056-031-00-COF	F52B0728-W	1-056-041-00-DOF	F53C0828-W
1-056-021-00-BPF	F51A0621-W	1-056-031-00-CPF	F52B0721-W	1-056-041-00-DPF	F53C0821-W
1-056-021-00-BQF	F51A0624-W	1-056-031-00-CQF	F52B0724-W	1-056-041-00-DQF	F53C0824-W

C-FACE POWER-OFF BRAKES

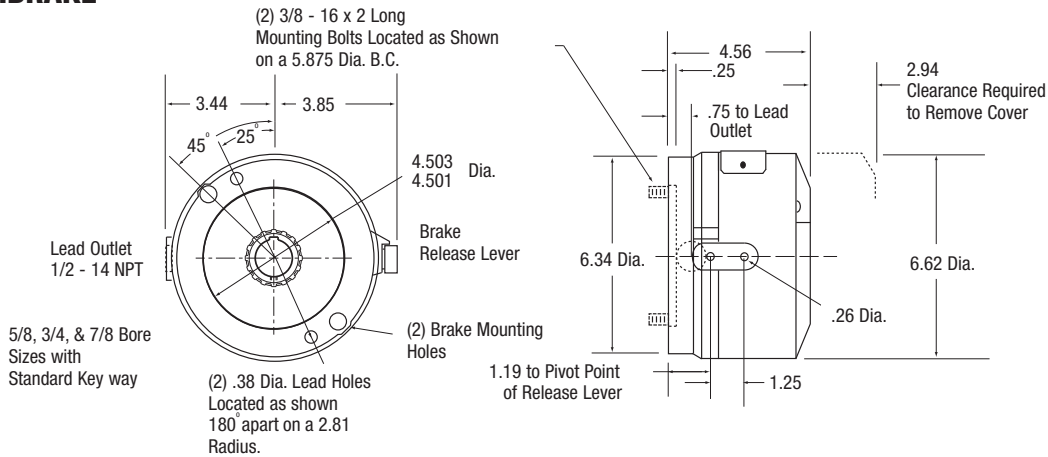
F Series AC Rear-Mounted Brakes with NEMA 2 Housing Aluminum Head-Steel Cover

56,100 NEMA 2

Stearns®



Warner UNIBRAKE®



UNIBRAKE® Interchange

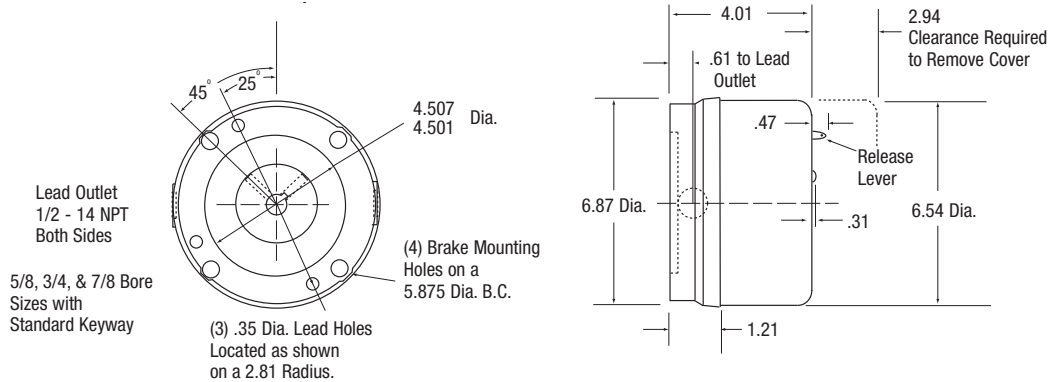
Stearns® Part Number	Warner Electric Replacement	Stearns® Part Number	Warner Electric Replacement	Stearns® Part Number	Warner Electric Replacement
1-056-111-00-BNF	F51A0325-W	1-056-121-00-CNF	F51B0625-W	1-056-131-00-DNF	F52C0725-W
1-056-111-00-BOF	F51A0328-W	1-056-121-00-COF	F51B0628-W	1-056-131-00-DOF	F52C0728-W
1-056-111-00-BPF	F51A0321-W	1-056-121-00-CPF	F51B0621-W	1-056-131-00-DPF	F52C0721-W
1-056-111-00-BQF	F51A0324-W	1-056-121-00-CQF	F51B0624-W	1-056-131-00-DQF	F52C0724-W
1-056-111-00-CNF	F51B0325-W	1-056-121-00-DNF	F51C0625-W	1-056-141-00-BNF	F53A0825-W
1-056-111-00-COF	F51B0328-W	1-056-121-00-DOF	F51C0628-W	1-056-141-00-BOF	F53A0828-W
1-056-111-00-CPF	F51B0321-W	1-056-121-00-DOF	F51C0621-W	1-056-141-00-BPF	F53A0821-W
1-056-111-00-CQF	F51B0324-W	1-056-121-00-DQF	F51C0624-W	1-056-141-00-BQF	F53A0824-W
1-056-111-00-DNF	F51C0325-W	1-056-131-00-BNF	F52A0725-W	1-056-141-00-CNF	F53B0825-W
1-056-111-00-DOF	F51C0328-W	1-056-131-00-BOF	F52A0728-W	1-056-141-00-COF	F53B0828-W
1-056-111-00-DPF	F51C0321-W	1-056-131-00-BPF	F52A0721-W	1-056-141-00-CPF	F53B0821-W
1-056-111-00-DQF	F51C0324-W	1-056-131-00-BQF	F52A0724-W	1-056-141-00-CQF	F53B0824-W
1-056-121-00-BNF	F51A0625-W	1-056-131-00-CNF	F52B0725-W	1-056-141-00-DNF	F53C0825-W
1-056-121-00-BOF	F51A0628-W	1-056-131-00-COF	F52B0728-W	1-056-141-00-DOF	F53C0828-W
1-056-121-00-BPF	F51A0621-W	1-056-131-00-CPF	F52B0721-W	1-056-141-00-DPF	F53C0821-W
1-056-121-00-BQF	F51A0624-W	1-056-131-00-CQF	F52B0724-W	1-056-141-00-DQF	F53C0824-W

C-FACE POWER-OFF BRAKES

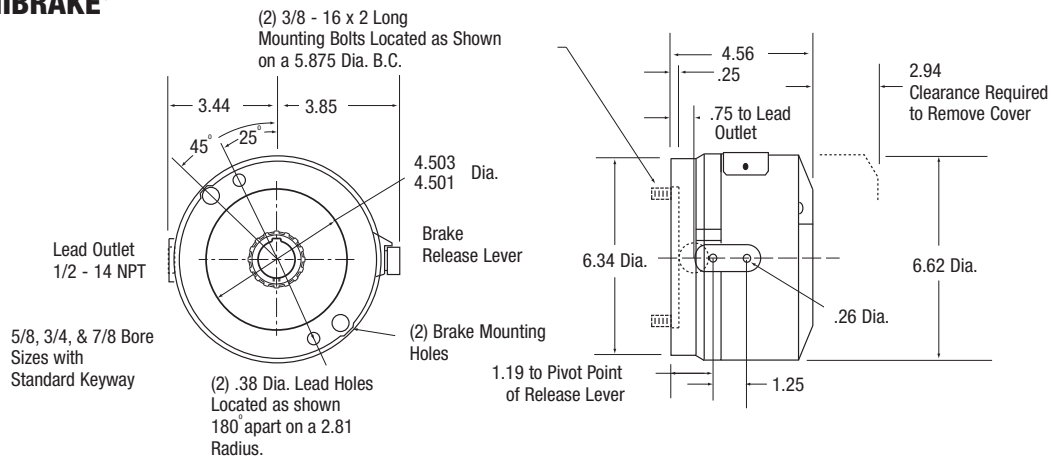
F Series AC Rear-Mounted Brakes with NEMA 1 Housing Aluminum Head-Steel Cover

56,300 NEMA 1

Stearns®



Warner UNIBRAKE®



UNIBRAKE® Interchange

Stearns® Part Number	Warner Electric Replacement	Stearns® Part Number	Warner Electric Replacement	Stearns® Part Number	Warner Electric Replacement
1-056-311-00-BNF	F51A0325-W	1-056-321-00-CNF	F51B0625-W	1-056-331-00-DNF	F52C0725-W
1-056-311-00-BOF	F51A0328-W	1-056-321-00-COF	F51B0628-W	1-056-331-00-DOF	F52C0728-W
1-056-311-00-BPF	F51A0321-W	1-056-321-00-CPF	F51B0621-W	1-056-331-00-DPF	F52C0721-W
1-056-311-00-BQF	F51A0324-W	1-056-321-00-CQF	F51B0624-W	1-056-331-00-DQF	F52C0724-W
1-056-311-00-CNF	F51B0325-W	1-056-321-00-DNF	F51C0625-W	1-056-341-00-BNF	F53A0825-W
1-056-311-00-COF	F51B0328-W	1-056-321-00-DOF	F51C0628-W	1-056-341-00-BOF	F53A0828-W
1-056-311-00-CPF	F51B0321-W	1-056-321-00-DPF	F51C0621-W	1-056-341-00-BPF	F53A0821-W
1-056-311-00-CQF	F51B0324-W	1-056-321-00-DQF	F51C0624-W	1-056-341-00-BQF	F53A0824-W
1-056-311-00-DNF	F51C0325-W	1-056-331-00-BNF	F52A0725-W	1-056-341-00-CNF	F53B0825-W
1-056-311-00-DOF	F51C0328-W	1-056-331-00-BOF	F52A0728-W	1-056-341-00-COF	F53B0828-W
1-056-311-00-DPF	F51C0321-W	1-056-331-00-BPF	F52A0721-W	1-056-341-00-CPF	F53B0821-W
1-056-311-00-DQF	F51C0324-W	1-056-331-00-BQF	F52A0724-W	1-056-341-00-CQF	F53B0824-W
1-056-321-00-BNF	F51A0625-W	1-056-331-00-CNF	F52B0725-W	1-056-341-00-DNF	F53C0825-W
1-056-321-00-BOF	F51A0628-W	1-056-331-00-COF	F52B0728-W	1-056-341-00-DOF	F53C0828-W
1-056-321-00-BPF	F51A0621-W	1-056-331-00-CPF	F52B0721-W	1-056-341-00-DPF	F53C0821-W
1-056-321-00-BQF	F51A0624-W	1-056-331-00-CQF	F52B0724-W	1-056-341-00-DQF	F53C0824-W

C-FACE POWER-OFF BRAKES

F Series AC Rear-Mounted Brakes with NEMA 2 Housing

Cast Iron Head-Steel Cover

56,400 NEMA 2



Warner Electric Single C-Face Power-Off Brakes are designed to decelerate or hold inertia loads when the power is turned off. The single C-Face mounts on the non-driven end of a motor. Brakes are available from 3 ft. lb. to 15 ft. lb.

Features:

- External manual release lever
- Totally enclosed construction
- Torque adjustable from full-rated torque down to 50%
- Single-phase AC coils to provide fast release times and easy wiring
- Single C-Face

Brake Part Numbers

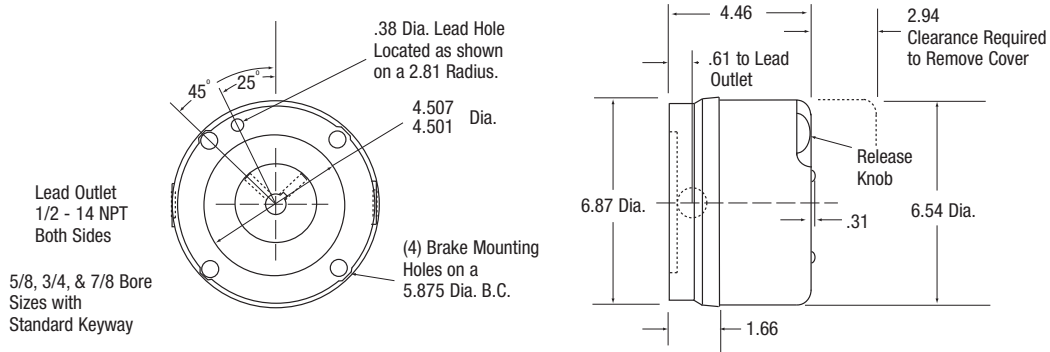
Technical Data

Coil Voltage	3 ft. lb. Brakes (1 Disc)	6 ft. lb. Brakes (1 Disc)	10 ft. lb. Brakes (2 Discs)	15 ft. lb. Brakes (3 Discs)	Current Holding Amps	Current Inrush Amps
5/8 Bore Hub						
115/230, 60 HZ	F51A7321-W	F51A7621-W	F52A7721-W	F53A7821-W	.50/.25	3.66/1.83
230/460, 60 HZ	F51A7324-W	F51A7624-W	F52A7724-W	F53A7824-W	.28/.14	1.94/.97
287/575, 60 HZ	F51A7325-W	F51A7625-W	F52A7725-W	F53A7825-W	.22/.11	1.54/.77
115/230, 50 HZ	F51A7328-W	F51A7628-W	F52A7728-W	F53A7828-W	.45/.22	3.27/1.64
230/460, 50 HZ	F51A7329-W	F51A7629-W	F52A7729-W	F53A7829-W	.24/.12	1.76/.88
3/4 Bore Hub						
115/230, 60 HZ	F51B7321-W	F51B7621-W	F52B7721-W	F53B7821-W	.50/.25	3.66/1.83
230/460, 60 HZ	F51B7324-W	F51B7624-W	F52B7724-W	F53B7824-W	.28/.14	1.94/.97-W
287/575, 60 HZ	F51B7325-W	F51B7625-W	F52B7725-W	F53B7825-W	.22/.11	1.54/.77
115/230, 50 HZ	F51B7328-W	F51B7628-W	F52B7728-W	F53B7828-W	.45/.22	3.27/1.64
230/460, 50 HZ	F51B7329-W	F51B7629-W	F52B7729-W	F53B7829-W	.24/.12	1.76/.88
7/8 Bore Hub						
115/230, 60 HZ	F51C7321-W	F51C7621-W	F52C7721-W	F53C7821-W	.50/.25	3.66/1.83
230/460, 60 HZ	F51C7324-W	F51C7624-W	F52C7724-W	F53C7824-W	.28/.14	1.94/.97
287/575, 60 HZ	F51C7325-W	F51C7625-W	F52C7725-W	F53C7825-W	.22/.11	1.54/.77
115/230, 50 HZ	F51C7328-W	F51C7628-W	F52C7728-W	F53C7828-W	.45/.22	3.27/1.64
230/460, 50 HZ	F51C7329-W	F51C7629-W	F52C7729-W	F53C7829-W	.24/.12	1.76/.88

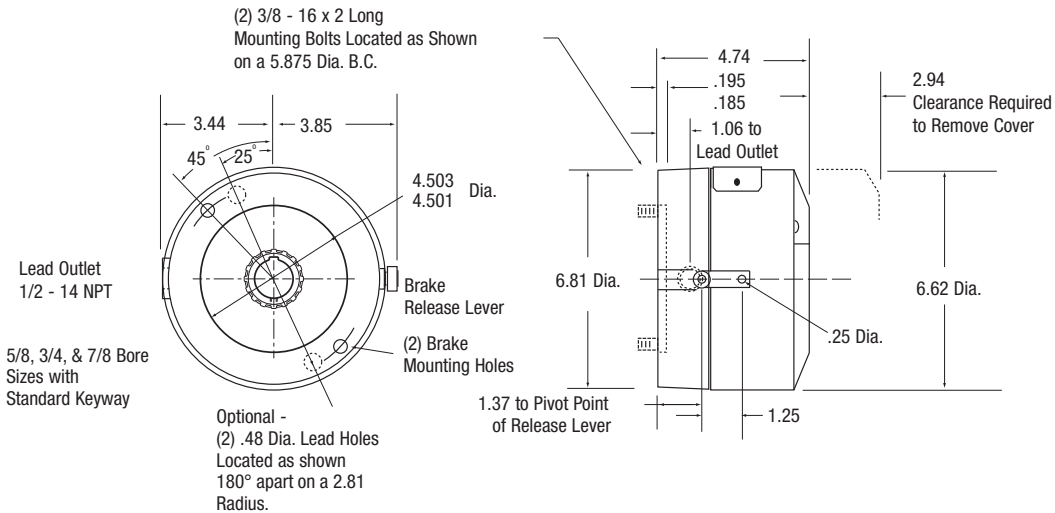
F Series AC Rear-Mounted Brakes with NEMA 2 Housing Cast Iron Head-Steel Cover

56,400 NEMA 2

Stearns®



Warner UNIBRAKE®



UNIBRAKE® Interchange

Stearns® Part Number	Warner Electric Replacement	Stearns® Part Number	Warner Electric Replacement	Stearns® Part Number	Warner Electric Replacement
1-056-411-00-BNF	F51A7325-W	1-056-421-00-CNF	F51B7625-W	1-056-431-00-DNF	F52C7725-W
1-056-411-00-BOF	F51A7328-W	1-056-421-00-COF	F51B7628-W	1-056-431-00-DOF	F52C7728-W
1-056-411-00-BPF	F51A7321-W	1-056-421-00-CPF	F51B7621-W	1-056-431-00-DPF	F52C7721-W
1-056-411-00-BQF	F51A7324-W	1-056-421-00-CQF	F51B7624-W	1-056-431-00-DQF	F52C7724-W
1-056-411-00-CNF	F51B7325-W	1-056-421-00-DNF	F51C7625-W	1-056-441-00-BNF	F53A7825-W
1-056-411-00-COF	F51B7328-W	1-056-421-00-DOF	F51C7628-W	1-056-441-00-BOF	F53A7828-W
1-056-411-00-CPF	F51B7321-W	1-056-421-00-DPF	F51C7621-W	1-056-441-00-BPF	F53A7821-W
1-056-411-00-CQF	F51B7324-W	1-056-421-00-DQF	F51C7624-W	1-056-441-00-BQF	F53A7824-W
1-056-411-00-DNF	F51C7325-W	1-056-431-00-BNF	F52A7725-W	1-056-441-00-CNF	F53B7825-W
1-056-411-00-DOF	F51C7328-W	1-056-431-00-BOF	F52A7728-W	1-056-441-00-COF	F53B7828-W
1-056-411-00-DPF	F51C7321-W	1-056-431-00-BPF	F52A7721-W	1-056-441-00-CPF	F53B7821-W
1-056-411-00-DQF	F51C7324-W	1-056-431-00-BQF	F52A7724-W	1-056-441-00-CQF	F53B7824-W
1-056-421-00-BNF	F51A7625-W	1-056-431-00-CNF	F52B7725-W	1-056-441-00-DNF	F53C7825-W
1-056-421-00-BOF	F51A7628-W	1-056-431-00-COF	F52B7728-W	1-056-441-00-DOF	F53C7828-W
1-056-421-00-BPF	F51A7621-W	1-056-431-00-CPF	F52B7721-W	1-056-441-00-DPF	F53C7821-W
1-056-421-00-BQF	F51A7624-W	1-056-431-00-CQF	F52B7724-W	1-056-441-00-DQF	F53C7824-W