

DOUBLE C-FACE POWER-OFF BRAKES

M Series AC Coupler Brakes with NEMA 2 Housing Aluminum Head and Cover

56,700 NEMA 2



The Double C-Face Brake is designed for use as a coupler between standard C-Face motors and C-Face gear reducers.

Features:

- External manual release lever
- Totally enclosed construction
- Torque adjustable from full-rated torque down to 50%
- Single-phase AC coils to provide fast release times and easy wiring

Brake Part Numbers

Technical Data

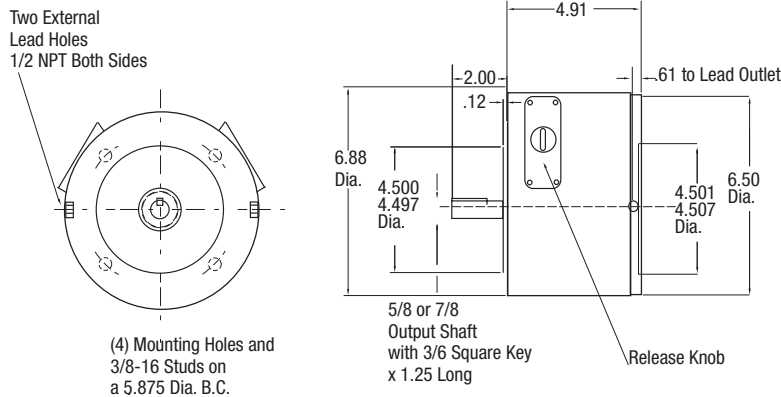
Coil Voltage	3 ft. lb. Brakes (1 Disc)	6 ft. lb. Brakes (1 Disc)	10 ft. lb. Brakes (2 Discs)	Current Holding Amps	Current Inrush Amps
5/8 Bore Shaft and Hub (56C)					
115/230, 60 HZ	M51A0321-W	M51A0621-W	M52A0721-W	.50/.25	3.66/1.83
230/460, 60 HZ	M51A0324-W	M51A0624-W	M52A0724-W	.28/.14	1.94/.97
287/575, 60 HZ	M51A0325-W	M51A0625-W	M52A0725-W	.22/.11	1.54/.77
115/230, 50 HZ	M51A0328-W	M51A0628-W	M52A0728-W	.45/.22	3.27/1.64
230/460, 50 HZ	M51A0329-W	M51A0629-W	M52A0729-W	.24/.12	1.76/.88
7/8 Bore Shaft and Hub (145TC)					
115/230, 60 HZ	M51C0321-W	M51C0621-W	M52C0721-W	.50/.25	3.66/1.83
230/460, 60 HZ	M51C0324-W	M51C0624-W	M52C0724-W	.28/.14	1.94/.97
287/575, 60 HZ	M51C0325-W	M51C0625-W	M52C0725-W	.22/.11	1.54/.77
115/230, 50 HZ	M51C0328-W	M51C0628-W	M52C0728-W	.45/.22	3.27/1.64
230/460, 50 HZ	M51C0329-W	M51C0629-W	M52C0729-W	.24/.12	1.76/.88

DOUBLE C-FACE POWER-OFF BRAKES

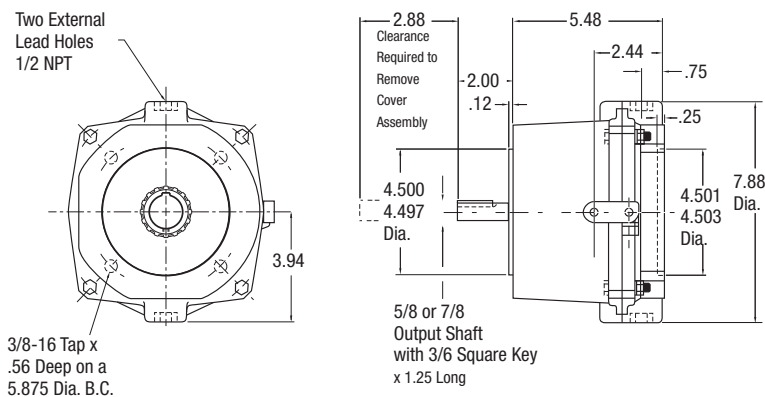
M Series AC Coupler Brakes with NEMA 2 Housing Aluminum Head and Cover

56,700 NEMA 2

Stearns®



Warner UNIBRAKE®



UNIBRAKE® Interchange

Stearns® Part Number	Warner Electric Replacement	Stearns® Part Number	Warner Electric Replacement	Stearns® Part Number	Warner Electric Replacement
1-056-711-05-NF	M51A0325-W	1-056-721-05-NF	M51A0625-W	1-056-731-05-NF	M52A0725-W
1-056-711-05-OF	M51A0328-W	1-056-721-05-OF	M51A0628-W	1-056-731-05-OF	M52A0728-W
1-056-711-05-PF	M51A0321-W	1-056-721-05-PF	M51A0621-W	1-056-731-05-PF	M52A0721-W
1-056-711-05-QF	M51A0324-W	1-056-721-05-QF	M51A0624-W	1-056-731-05-QF	M52A0724-W
1-056-711-07-NF	M51C0325-W	1-056-721-07-NF	M51C0625-W	1-056-731-07-NF	M52C0725-W
1-056-711-07-OF	M51C0328-W	1-056-721-07-OF	M51C0628-W	1-056-731-07-OF	M52C0728-W
1-056-711-07-PF	M51C0321-W	1-056-721-07-PF	M51C0621-W	1-056-731-07-PF	M52C0721-W
1-056-711-07-QF	M51C0324-W	1-056-721-07-QF	M51C0624-W	1-056-731-07-QF	M52C0724-W

DOUBLE C-FACE POWER-OFF BRAKES

M Series DC Coupler Brakes with NEMA 2 Housing Aluminum Head and Cover

56,700 NEMA 2



The Double C-Face Brake is designed for use as a coupler between standard C-Face motors and C-Face gear reducers.

Features:

- External manual release lever
- Totally enclosed construction
- Torque adjustable from full-rated torque down to 50%
- DC coils to provide fast release times and easy wiring

Brake Part Numbers

Technical Data

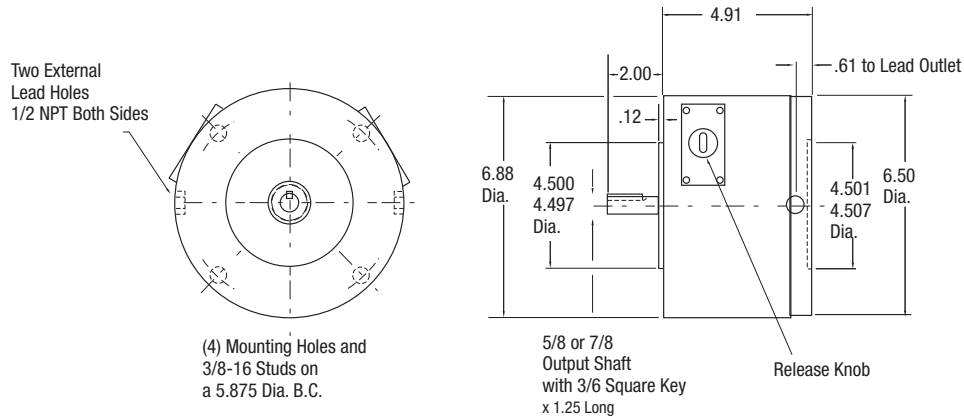
Coil Voltage	3 ft. lb. Brakes (1 Disc)	6 ft. lb. Brakes (2 Discs)	10 ft. lb. Brakes (3 Discs)	Current Holding Amps	Resistance Ohms
5/8 Bore Shaft and Hub (56C)					
24 VDC	M51A032Y-W	M52A062Y-W	M53A072Y-W	.91	26.4
90 VDC	M51A032X-W	M52A062X-W	M53A072X-W	.25	365
7/8 Bore Shaft and Hub (145TC)					
24 VDC	M51C032Y-W	M52C062Y-W	M53C072Y-W	.91	26.4
90 VDC	M51C032X-W	M52C062X-W	M53C072X-W	.25	365

DOUBLE C-FACE POWER-OFF BRAKES

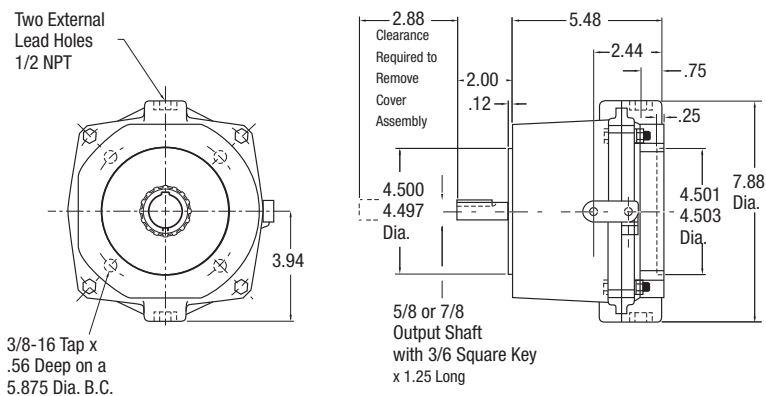
M Series DC Coupler Brakes with NEMA 2 Housing Aluminum Head and Cover

56,700 NEMA 2

Stearns®



Warner UNIBRAKE®



UNIBRAKE® Interchange

Stearns® Part Number	Warner Electric Replacement
1-056-711-05-UF	M51A032Y-W
1-056-711-05-XF	M51A032X-W
1-056-711-07-UF	M51C032Y-W
1-056-711-07-XF	M51C032X-W
1-056-721-05-UF	M52A062Y-W
1-056-721-05-XF	M52A062X-W
1-056-721-07-UF	M52C062Y-W
1-056-721-07-XF	M52C062X-W
1-056-731-05-UF	M53A072Y-W
1-056-731-05-XF	M53A072X-W
1-056-731-07-UF	M53C072Y-W
1-056-731-07-XF	M53C072X-W