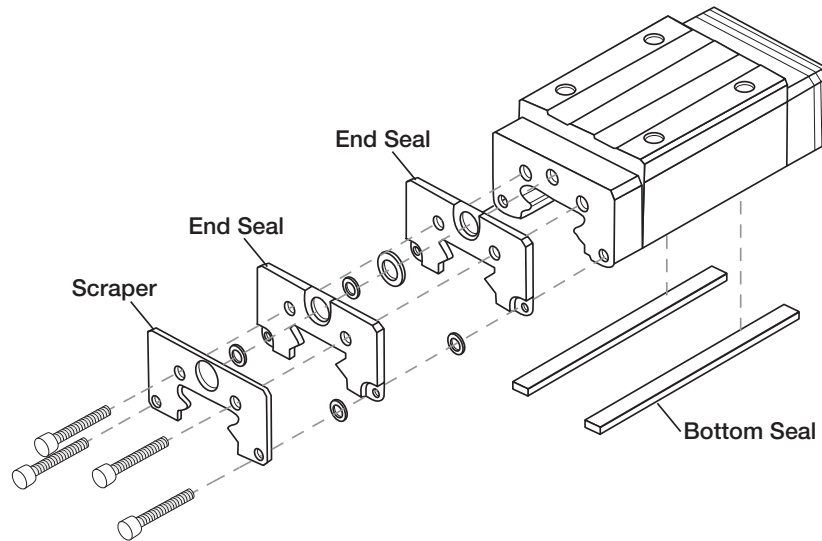


# Options & Accessories

## Dust-Proof Accessories

Selecting suitable dustproof accessories can prevent the loss in life and accuracy resulting from damage caused by iron chips or dust entering the block.



## Selection Guide

Code (HG/AG Series)	Dust Proof Accessory	Condition
U (Std)	End Seal + Bottom Seal	Normal Chips
DD	Double End Seal + Bottom Seal	Heavy Dust or Chips
KK	Double End Seal + Scraper + Bottom Seal	Heavy Dust, Heavy Chips, Heat Chips, Work Spark
ZZ	End Seal + Scraper + Bottom Seal	Heat Chips or Work Spark

## How To Specify

No symbol required for standard dust proof.

Please add "DD/KK/ZZ" for additional dust protection accessories.

Ex: ATEF25HT600 + **DD**